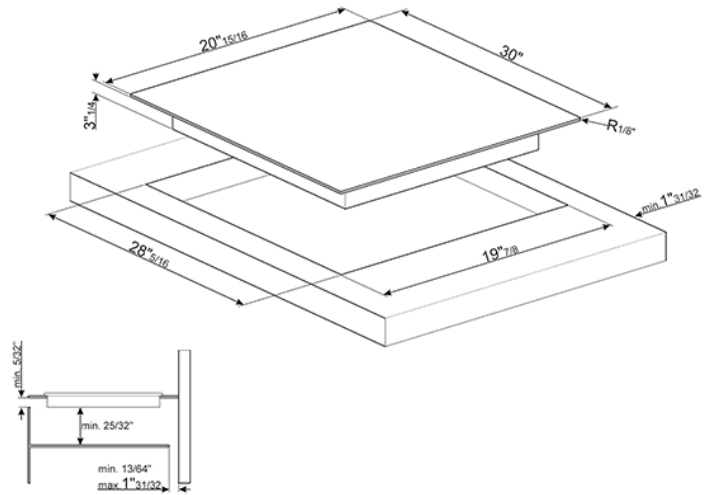
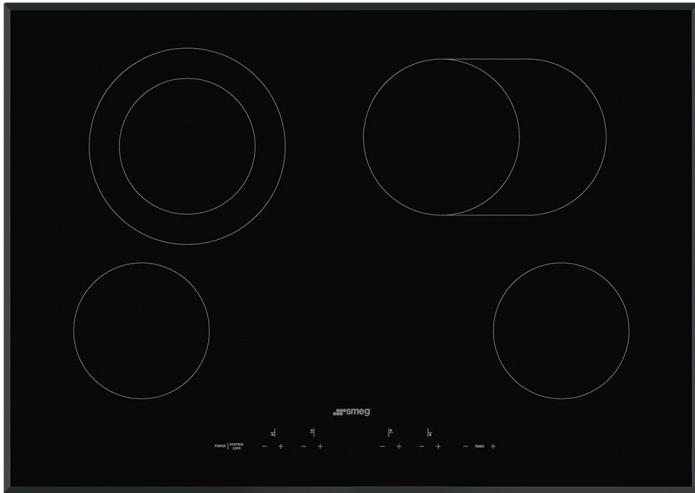


70CM (30") Ceramic Cooktop
Black Glass, Beveled
EAN13: 8017709240981



• 5 high-light radiant zones: • Front-right: Ø 5 ½" (140mm) Booster 1,200W • Back-right: Ø 7 5/8" (195mm) Booster 2,000W • Central: Ø 5 ½ - 8 ¼ - 10 5/8" (140-210-270mm) • Booster 750+900+1,050W • Back-left: Ø 5 ½" (140mm) Booster 1,200W • Front-left: Ø 4 ¾ - 7" (120-180mm) Booster 800+1,200W • Soft-touch controls • 5 high-light radiant elements, including 2 variable zones (central zone with three-level adjustment) • 9 power levels for each zone • Residual heat indicator for each zone • Automatic safety cut-out • Individual timer for each zone (1 - 99min) • Child safety lock • Voltage rating: 240/208V 60Hz • Connected load (nominal power): 240/208V - 8.6/6.5 kW - 36/32 Amps • Electrical - single phase 3 or 4-wire cable required, 60Hz, fused on both sides of line with ground