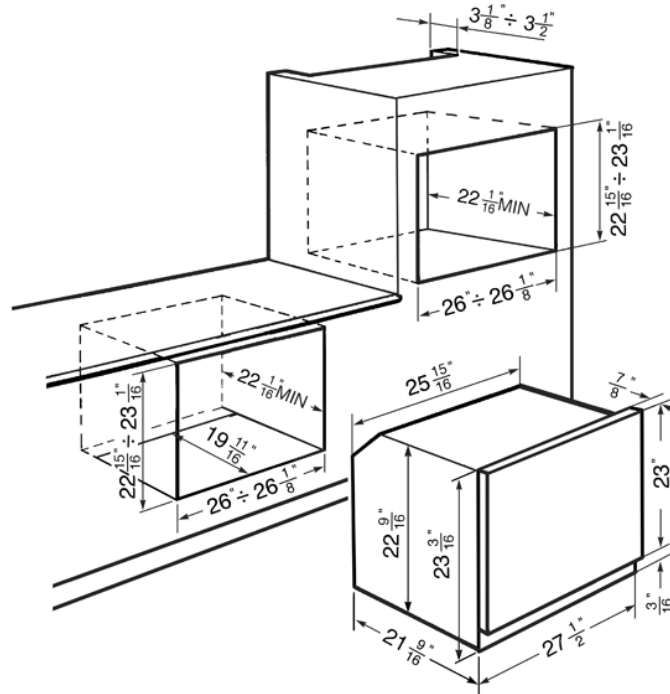


27" Multi-function Convection Oven
EAN13: 8017709115944



• **Evolution Design** • Multifunction oven with 10 cooking modes • Polished fingerprint-proof stainless steel • Ergonomic control knobs • Digital analog LED electronic clock/timer • Automated oven switch-off when door is open • Air-cooled door • Triple-glazed removable door • Quickly removable, easy-to-clean inner door glass • Oven capacity: 3 cu. ft. • Interior dimensions: W 22 5/16" x H 12 3/16" x D 16" • Voltage rating: 240/208V - 60Hz • Connected load (nominal power): 240/208V- 3.7/2.76W • Amps @ 240/208V: 15.4/13.2Amps • Power supply location: back-right bottom • **Accessories Included:** • 1 baking tray • 1 baking/broiler tray • 1 broiler rack • 2 wire racks • 1 rotisserie kit

Functions



Options

- GT90X - 3 level telescopic rack set