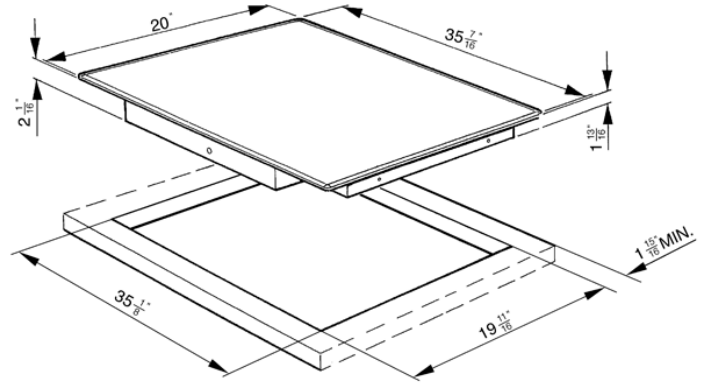


90CM (approx. 36") Ceramic Cooktop
Stainless Steel Frame
EAN13: 8017709113605



• 5 High-Light radiant zones: • Front right: \varnothing 5 1/2" (140mm) - Booster 1,200 W • Back right: \varnothing 7 5/8" (195mm) - Booster 2,000 W • Central: \varnothing 5 1/2" - 8 1/4" - 10 5/8" (140-210-270mm) - Booster 750 + 900 + 1,050 W • Front left: \varnothing 4 3/4" - 7" (120-180mm) - Booster 800 + 1,200 W • Back left: \varnothing 5 1/2" (140mm) - Booster 1,200 W • Elegant stainless steel frame • Soft touch controls • 5 high-light radiant elements, including 2 variable zones (central high speed zone with three level adjustment) • 9 power levels for each zone • Residual heat indicator for each zone • Automatic safety cut-out • Individual timer for each zone (1 - 99min) • Child safety lock • Voltage rating: 240/208V - 60Hz • Connected load (nominal power): 240/208V-8.6/6.5kW • Amps 240/208V: 36/32 Amps • Electrical - single phase 3 or 4 wire cable required, 120/240V or 120/208V, 60Hz, fused on both sides of line with ground. • **Accessories Included:** • 1 Cleaning scraper