

S2772TCU

77CM (30") Ceramic Cooktop
Angled-edge Glass

EAN13: 8017709114435

4 High-Light radiant zones:

Front right: \varnothing 7" (180mm) - Booster 1,800 W

Back right: \varnothing 6 11/16" x 10 7/16" (170 x 265mm)
- Booster 1,400 + 800 W

Back left: \varnothing 5 1/2" (140mm) - Booster 1,200 W

Front left: \varnothing 5 1/2" - 8 1/4" (140-210mm) - Booster
1,100 + 1,300 W

Soft touch controls

4 high-light radiant elements, including 2 variable
zones

9 power levels for each zone

Residual heat indicator for each zone

Automatic safety cut-out

Child safety lock

Voltage rating: 240/208V - 60Hz

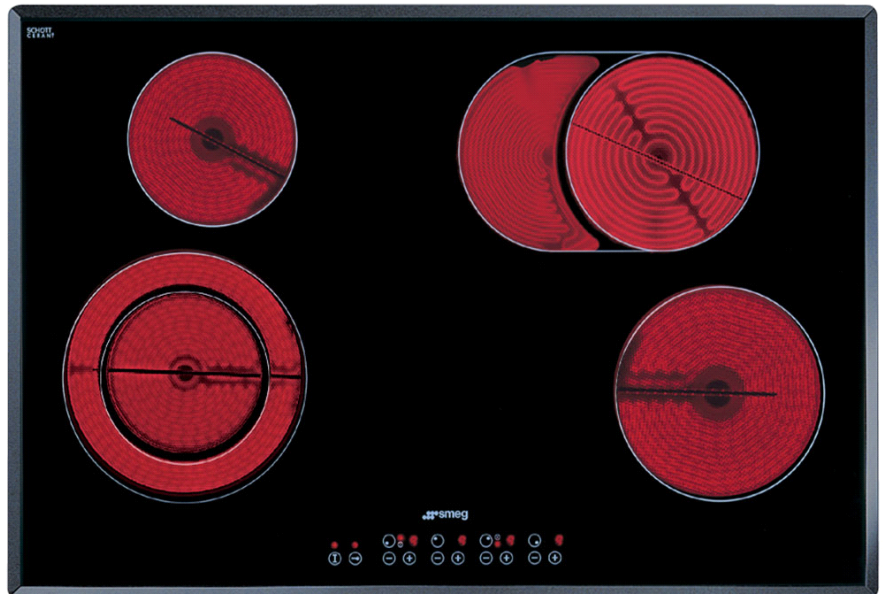
Connected load (nominal power): 240/208V-
8.1/6.0kW

Amps @ 240/208V: 34/29 Amps

Electrical - single phase 3 or 4 wire cable required,
120/240V or 120/208V, 60Hz, fused on both sides
of
line with ground.

Accessories Included:

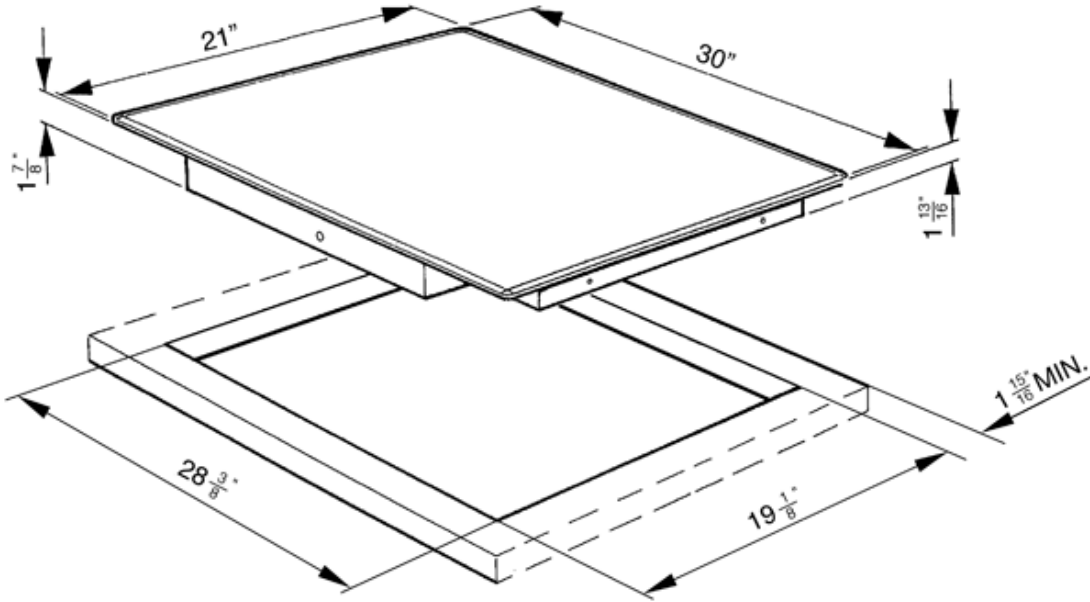
1 Cleaning scraper





S2772TCU

ceramic cooktop
30"
black
touch control



SMEG U.S.A. INC.
A&D BUILDING
150 EAST 58th STREET, 7th FLOOR
NEW YORK, NY, 10155
Tel. +1 212 265 5378
Fax +1 212 265 5945