

S2641TCU

60CM (24") Ceramic Cooktop
Angled-edge Glass

EAN13: 8017709204938

4 high-light radiant zones:

Front-left: Ø 7" (180mm) - Booster 1,800W

Back-left: Ø 5 5/11" (140mm) - Booster 1,200W

Front-right: Ø 5 5/11" (140mm) - Booster 1,200W

Back-right: Ø 5 5/11 - 8 1/3" (140-210mm)
- Double Booster 2,400W

"Suprema" black ecological glass

Soft-touch controls

4 high-light radiant elements

9 power levels for each zone

Residual heat indicator for each zone

"Keep warm" automatic function

Automatic safety cut-out

Child safety lock

Limited power consumption mode

Voltage rating: 240/208V - 60Hz

Quick start option

Connected load (nominal power): 240/208V-
8.1/6.0kW

Amps 240/208V: 34/29Amps

Electrical - single phase 3 or 4-wire cable required,
120/240V or 120/208V, 60Hz, fused on both sides of
line with ground.

Accessories Included:

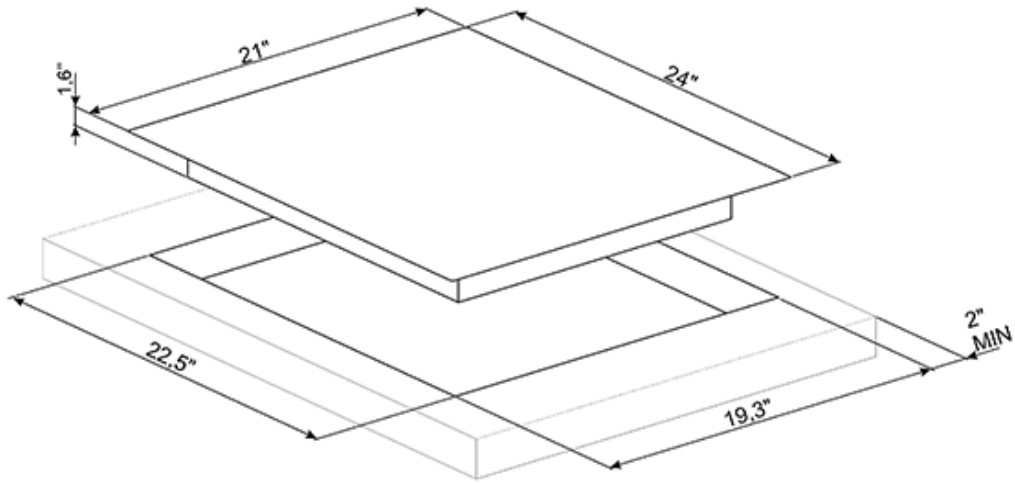
1 Cleaning scraper





S2641TCU

ceramic cooktop
24"
black
touch control



SMEG U.S.A. INC.
A&D BUILDING
150 EAST 58th STREET, 7th FLOOR
NEW YORK, NY, 10155
Tel. +1 212 265 5378
Fax +1 212 265 5945