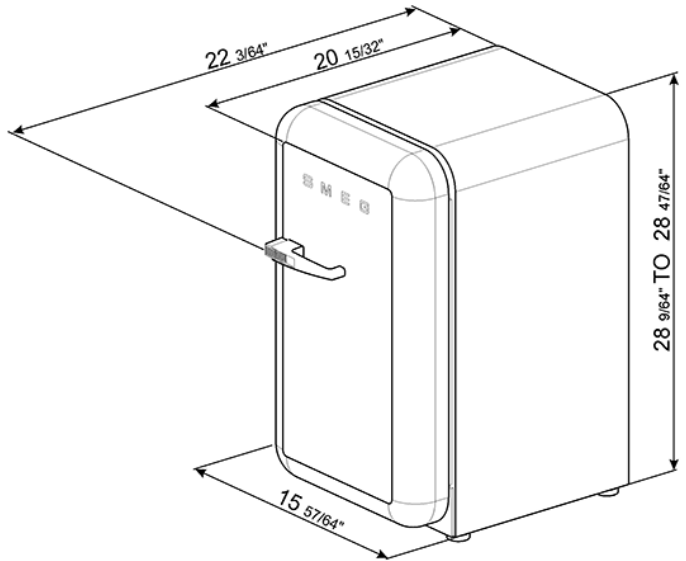




FAB5URP

Approx 16" 50's Retro Style Mini Refrigerator,
Cream, Right hand hinge
EAN13: 8017709192969



- **Capacity 1.5 Cu. Ft.** • Available with right and left hinge • **Absorption cooling = ultra low noise level** • Automatic defrost • LED Internal light
- 2 adjustable shelves • Door storage: 1 balcony shelf, 1 bottle shelf • **ELECTRICAL CONNECTION:** • Voltage: 120V 60Hz • Current: 1.0 Amps
- **Dimensions:** • H x W x D) 28 1/8" x 15 15/16" x 22 1/16" • Gross Weight: 65lbs. • Net Weight: 51.2 lbs.