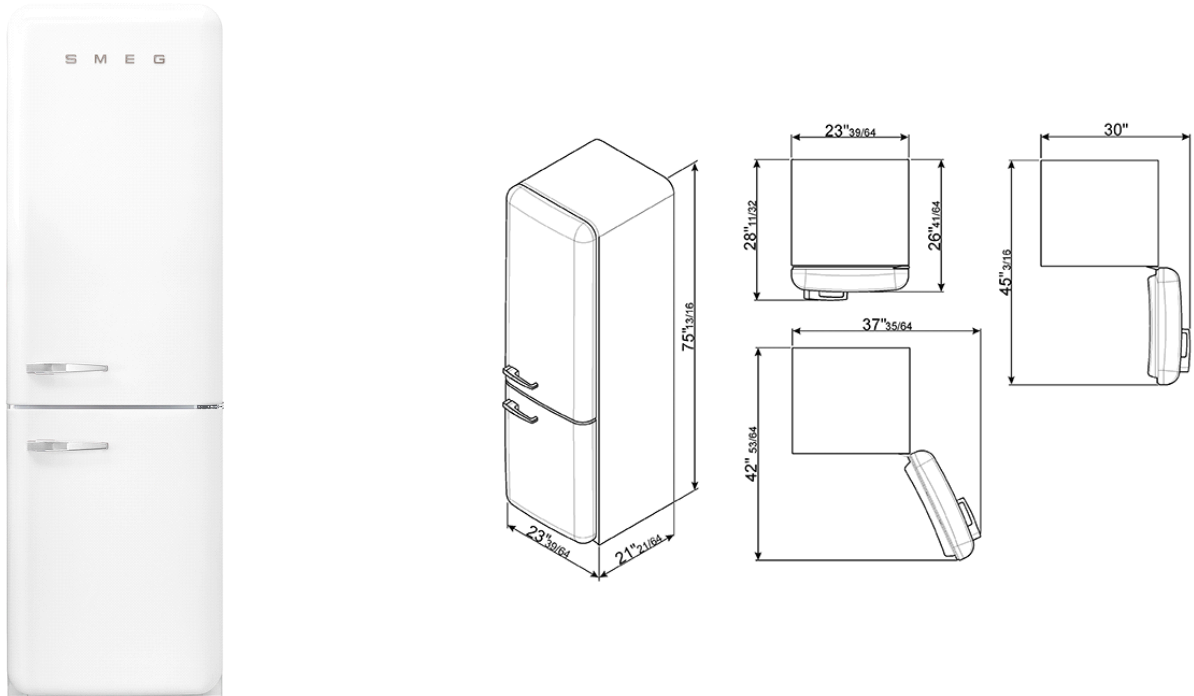


Approx 24" 50'S Style refrigerator with automatic freezer, White, Right hand hinge  
EAN13: 8017709219406



• 2 adjustable thermostats • Freezing capacity: 22 lbs./24 - 10kg/24h • Thaw time: 18h • Available in right and left hinges • **REFRIGERATOR:**  
• Fresh food capacity: 8.1 cu ft net capacity • Fresh food capacity: 8.2 cu ft gross capacity • Automatic defrost • 3 adjustable glass shelves • 1 fruit and vegetable container • 1 covered storage box • 1 chrome wine rack • **FREEZER \*\*\*\*:** • 3 adjustable shelves • 1 bottle rack • Frost-free  
• Frozen food capacity: 2.65 cu ft net capacity • Frozen food capacity: 3.43 cu ft gross capacity • 2 drawers • 1 fast-freezing drawer • Fast-freezing bottom • Ice cube tray • A gap of 5" must be left on the hinged side of the • product to allow the door to open fully. • Voltage: 120V 60Hz • Current: 10 Amps • Noise level: 41 dB(A) RE 1 pW • **DIMENSIONS:** • Dimensions HxWxD: • 75 13/16" x 23 5/8" x 26 5/8" • Door thickness: 4 1/2" (door+handle: 6") • Gross weight: 241 lbs • Net weight: 210 lbs • When positioning these appliances adjacent to a kitchen unit, a gap of 6 7/8" must be left on the hinged side of the product to allow the door to open. When positioning next to a wall, it is recommended to leave a larger gap of 12 1/2".

## Versions

- FAB32UWHLN - White, left hand hinge