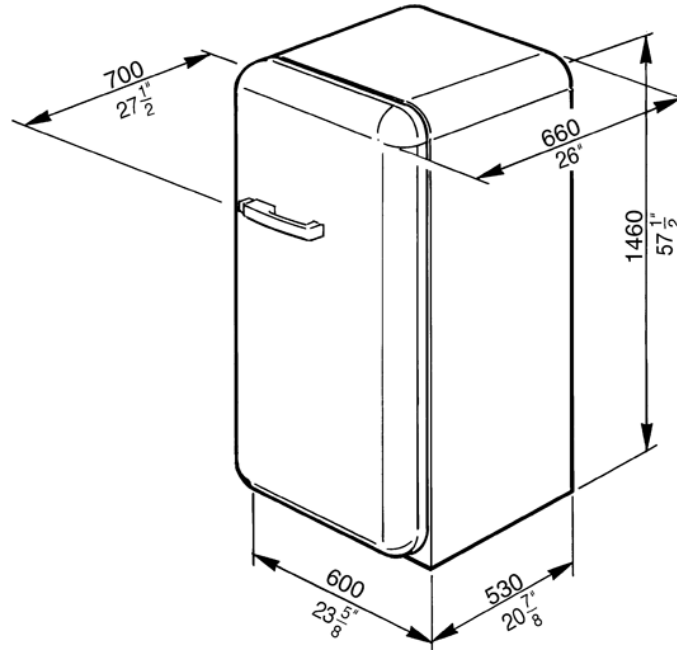


50'S Style Refrigerator with ice compartment,  
Pastel Green, Right hand hinge  
EAN13: 8017709096601



• **Capacity 9.22 Cu. Ft.** • REFRIGERATOR • Interior light • 3 adjustable glass shelves • 1 bottle storage shelf • 1 fixed glass shelf • 1 fruit and vegetable container • 1 dairy box • DOOR • 2 adjustable covered bins • 2 bottle storage bins • 4 adjustable bins • 2 egg bins • FREEZER COMPARTMENT: • 1 Ice cube tray • Energy consumption: 305 kWh/year • Voltage: 120 V • Current: 10 A • Frequency: 60 Hz • Noise level: 42 dB(A) RE 1 pW • Dimensions (h x w x d) 57½ x 23⅝ x 27½ inches • Gross weight: 181.4 lbs • Net weight: 156.5 lbs • When positioning these appliances adjacent to kitchen unit a gap of 6 7/8" must be left on the hinged side of the product to allow the door to open. When positioning next to a wall it is recommended to leave a larger gap of 12 1/2".