

FAB28ULIR1

50's Retro style

Approx 24" 50'S Style
Refrigerator with ice
compartment,
Lime green, Right hand hinge

EAN13: 8017709208561

Capacity 9.46 cu. ft.

Available with right and left hinge

REFRIGERATOR:

Fresh food capacity: 8.72 cu ft

Interior light

3 adjustable glass shelves

1 bottle rack

1 fixed glass shelf

1 fruit and vegetable container

1 dairy box

DOOR:

2 adjustable covered bins

2 bottle storage bins

4 adjustable bins

2 egg bins

FREEZER COMPARTMENT

Frozen food capacity: 0.74 cu ft

1 Ice cube tray

Energy consumption: 305 kWh/year

Voltage: 120V 60Hz

Current: 10 Amps

Noise level: 42 dB(A) RE 1 pW

Dimensions (h x w x d)

57½" x 23⅝" x 27½"

Door thickness: 4 1/2" (door+handle: 6")

Gross weight: 181.4lbs

Net weight: 156.5lbs



When positioning these appliances adjacent to a kitchen

unit, a gap of 6 7/8" must be left on the hinged side of the product to allow the door to open. When positioning next to a wall, it is recommended to leave a larger gap of 12 1/2".

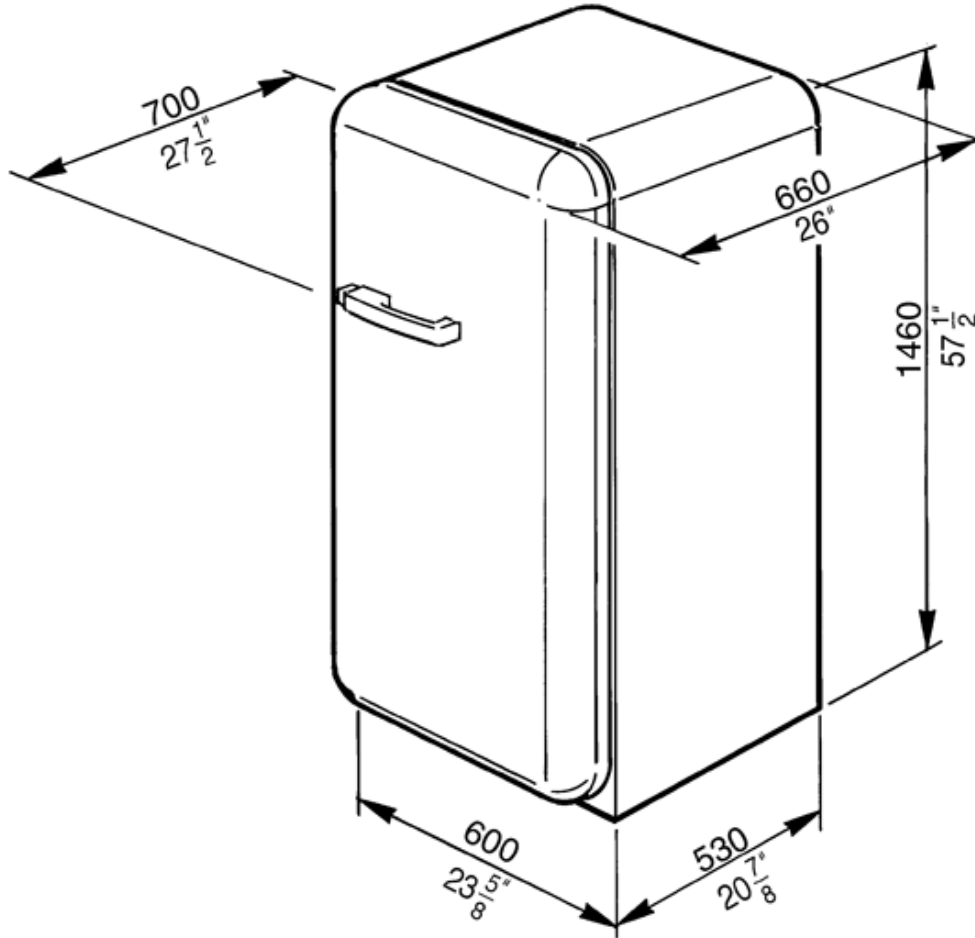
**SMEG U.S.A. INC.
A&D BUILDING
150 EAST 58th STREET, 7th FLOOR
NEW YORK, NY, 10155
Tel. +1 212 265 5378
Fax +1 212 265 5945**



FAB28ULIR1

50's Retro style

fridge
free standing
50's style
lime green
24"



SMEG U.S.A. INC.
A&D BUILDING
150 EAST 58th STREET, 7th FLOOR
NEW YORK, NY, 10155
Tel. +1 212 265 5378
Fax +1 212 265 5945