



# CPRU130S

Available soon

## linea

30" Warming drawer

EAN13: 8017709283216

AESTHETIC

Classic Design

"Mystic-gray" glass finish

Linea-design handle

### TECHNICAL SPECIFICATIONS

Inner temperature control knob

Temperature range: 85° - 180°F

On/off light indicator

Maximum load: 33 lbs

Maximum weight allowed above the drawer: 518 lbs

### Functions

Defrost

Proof

Reheat

Keep-warm

Mugs / Dish warmer

### DIMENSIONS

Dimensions (HxWxD): 10 1/16" x 29 11/16" x 23 1/2"

Capacity: 2 cu. ft.

### ELECTRICAL SPECIFICATIONS

Voltage: 115 V

Frequency: 60 Hz

Nominal power: 800 W

Current: 7 A

### INCLUDED ACCESSORIES

Plate rack

Silicone anti-slip mat



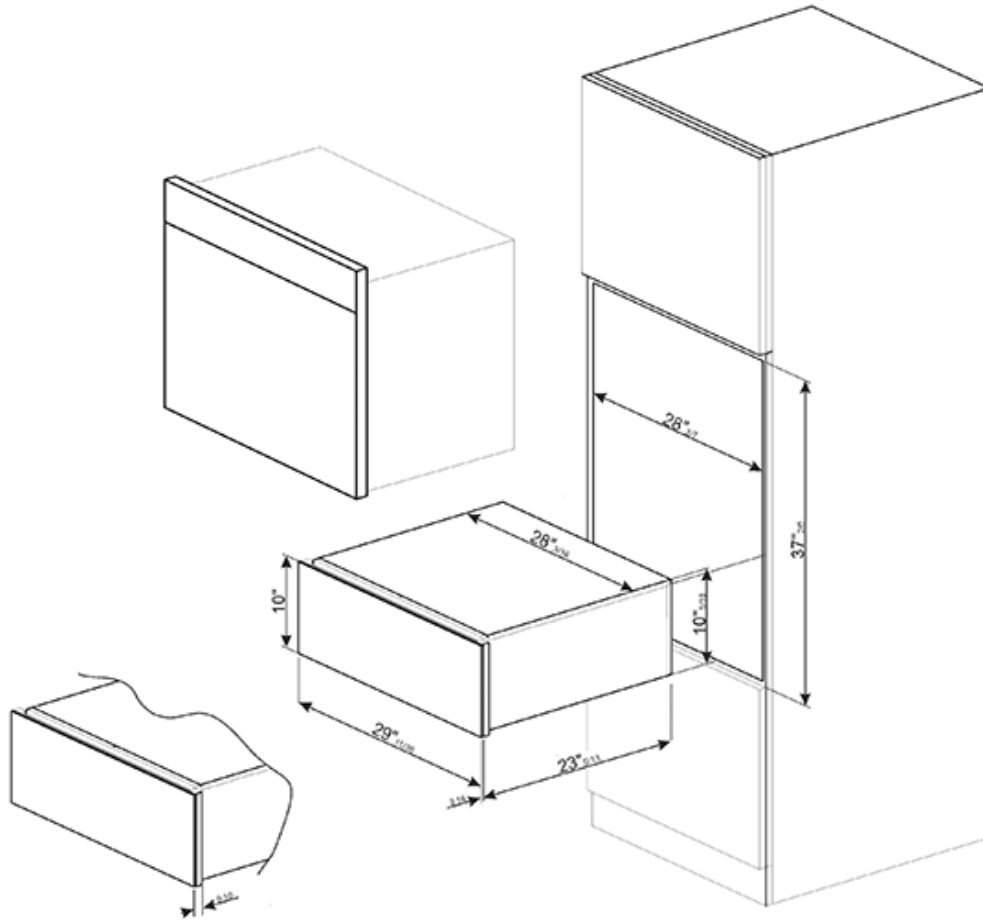
**SMEG U.S.A. INC.  
A&D BUILDING  
150 EAST 58th STREET, 7th FLOOR  
NEW YORK, NY, 10155  
Tel. +1 212 265 5378  
Fax +1 212 265 5945**



CPRU130S

linea

for ovens  
warming drawer



SMEG U.S.A. INC.  
A&D BUILDING  
150 EAST 58th STREET, 7th FLOOR  
NEW YORK, NY, 10155  
Tel. +1 212 265 5378  
Fax +1 212 265 5945