



C30GGNU

Free-Standing Gas Range, 30",
Black

EAN13: 8017709217419

Professional Style

AISI 304 stainless steel

Sturdy American style control knobs

4" polished stainless steel backsplash

Gas Oven:

3 Cooking modes

Gas Convection mode

Broil mode

Defrost mode

Timer with alarm

Air-cooled triple-glazed removable door

"Ever-Clean" enameled oven interior

4 shelf positions

2 halogen oven lights

Oven capacity: 3.6 cu. ft.

Gas Rangetop:

Heavy duty cast iron grates

Full width grates

Sealed burners

Automatic electronic ignition incorporated in
the control knobs

LP Gas conversion kit included

Deep range-top base to contain spillage

5 Gas Burners:

Right-front 10100 BTUs

Left-rear 10100 BTUs

Right-rear 10100 BTUs

Left-front 10100 BTUs

Central double-insert super burner 17000 BTUs

4 burners with True Simmer function

Safety:

Gas safety valves

Ventilated door with cooling system to prevent
overheating

Anti-tilting norms satisfied

Suitable for building-in

Connected load nominal power 120V

Amp supply required @120V: 1.2 Amps

Voltage rating: 120V 60Hz

Gas inlet location: back top right

Accessories Included:



- 1 Baking tray
- 1 Chrome shelf
- 1 Wok ring
- 1 Moka ring

Options

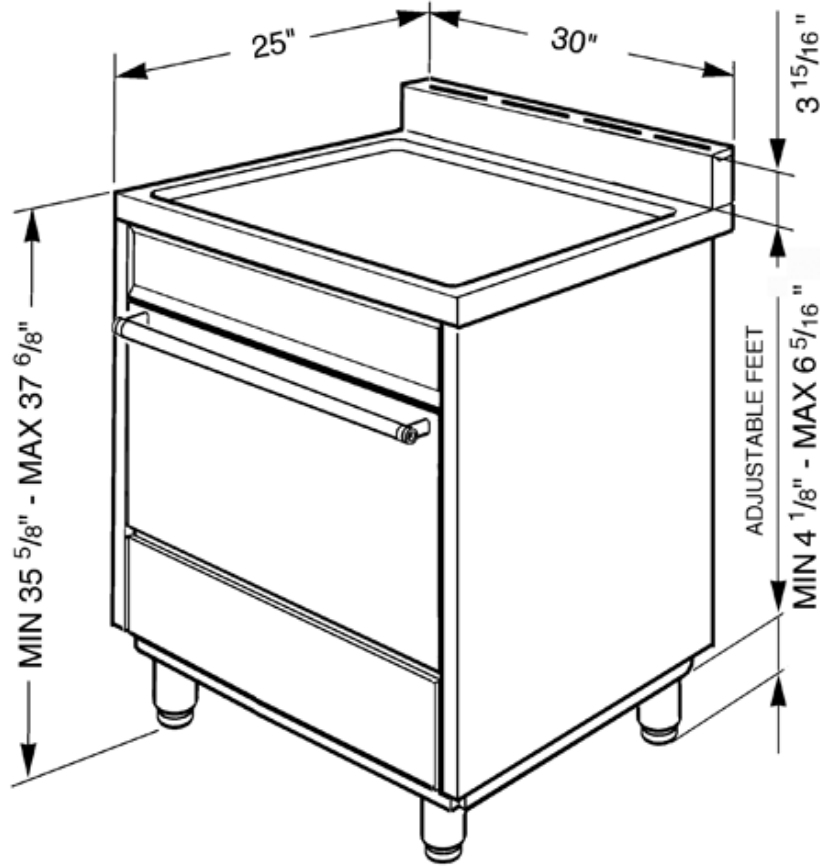
- **KIT130XU** - Island trim
- **8MCCU** - "Classic" control knob kit

SMEG U.S.A. INC.
A&D BUILDING
150 EAST 58th STREET, 7th FLOOR
NEW YORK, NY, 10155
Tel. +1 212 265 5378
Fax +1 212 265 5945



C30GGNU

30"
black
cooktops type: gas
oven type: gas



SMEG U.S.A. INC.
A&D BUILDING
150 EAST 58th STREET, 7th FLOOR
NEW YORK, NY, 10155
Tel. +1 212 265 5378
Fax +1 212 265 5945